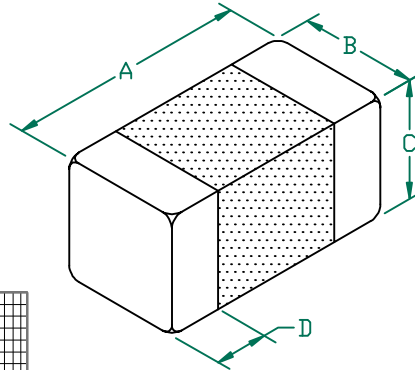


HZ0603A252R-10

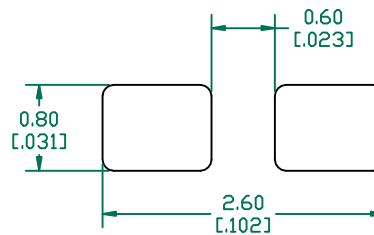
UNCONTROLLED DOCUMENT

PHYSICAL DIMENSIONS:

| | | | |
|---|---------------|--------|----------|
| A | 1.60 [.063] | + 0.15 | [.006] |
| B | 0.80 [.031] | + 0.15 | [.006] |
| C | 0.80 [.031] | + 0.15 | [.006] |
| D | 0.36 [.014] | + 0.15 | [.006] |



LAND PATTERNS FOR REFLOW SOLDERING



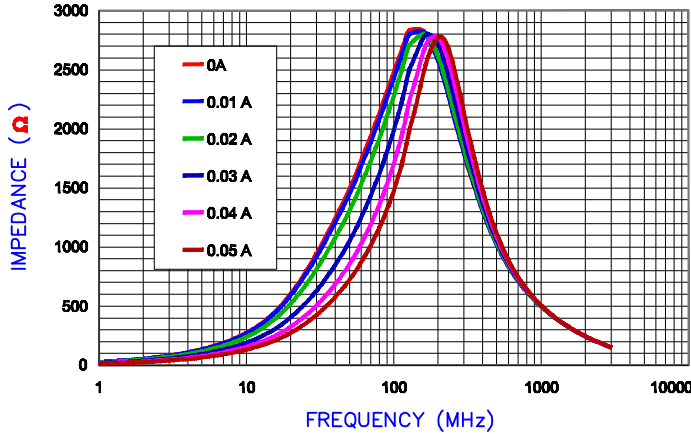
ELECTRICAL CHARACTERISTICS:

| Z @ 100MHz (Ω) | DCR (Ω) | Rated Current |
|---------------------|--------------|---------------|
| Nominal | 2500 | |
| Minimum | 1875 | |
| Maximum | 3125 | 1.5 |
| | | 50 mA |

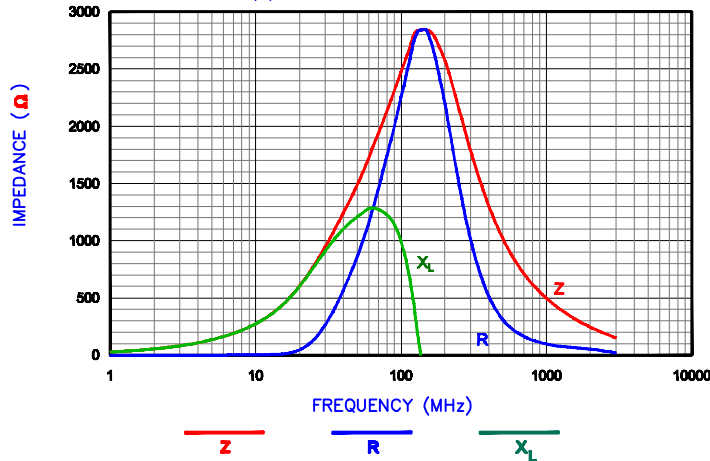
NOTES: UNLESS OTHERWISE SPECIFIED

1. TAPED AND REELED per CURRENT EIA SPECIFICATIONS 7" REELS, 4000 PCS/REEL, PAPER CARRIER TAPE.
2. TERMINATION FINISH IS 100% TIN.
3. COMPONENTS SHOULD BE ADEQUATELY PREHEATED BEFORE SOLDERING.

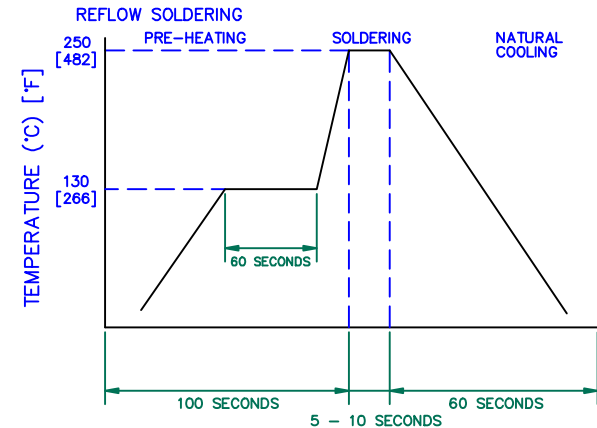
**Z vs. FREQUENCY
IMPEDANCE UNDER DC BIAS**



|Z| , R, AND X vs. FREQUENCY



RECOMMENDED SOLDERING CONDITIONS



| | | | | | | | |
|--------------------------------|-----------------------------------|----------|-----|---|------------------|-----------|--------|
| DIMENSIONS ARE IN mm [INCHES]. | | | | This print is the property of Laird Tech. and is loaned in confidence subject to return upon request and with the understanding that no copies shall be made without the written consent of Laird Tech. All rights to design or invention are reserved. | | | |
| | | | | Laird TECHNOLOGIES | | | |
| PROJECT/PART NUMBER: | | | | REV | PART TYPE: | DRAWN BY: | |
| HZ0603A252R-10 | | | | C | CO-FIRE | JRK | |
| C | UPDATE COMPANY LOGO | 02/25/08 | JRK | DATE: | 03/30/06 | SCALE: | - |
| B | ADD BIAS CURVE & update ZRX Curve | 08/08/06 | JRK | CAD # | HZ0603A252R-10-C | SHEET: | 2 of 2 |
| A | ORIGINAL DRAFT | 03/30/06 | JRK | | | | |
| REV | DESCRIPTION | DATE | INT | | | | |

